

SHEAVE, KS-140

GENERAL DESCRIPTION

Main Sheave (Traction sheave), Deflective sheave

Material : FC 30

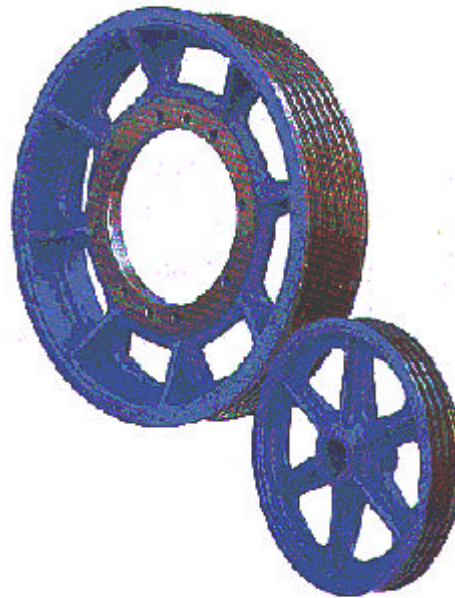
Minimum hardness : 210 Brinell

MODEL NO.	TYPE	NAME
KS1401	M-TYPE	Deflective Sheave
KS1402	D-TYPE	Main Sheave

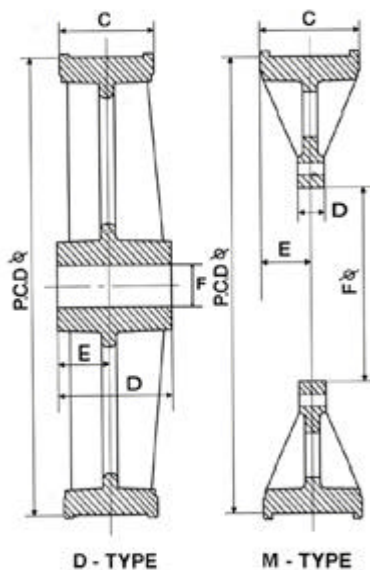
COMPONENT PARTS (standard)

1. Sheave
2. Shaft
3. Bearing
4. Support Blocks (2 bolts and 4 bolts)
5. Mounting Hardware

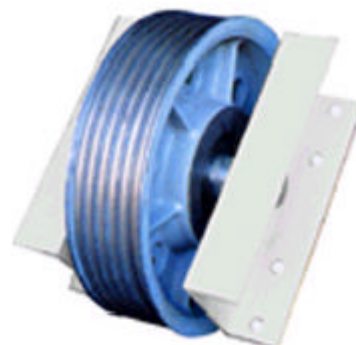
**Main Sheave
(M - TYPE)**



SPECIFICATION TABLE



**Deflector Sheave
(D - TYPE)**



**Drawing 1-1
Main Sheave (M - TYPE)
Deflector Sheave (D - TYPE)**