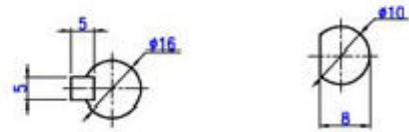
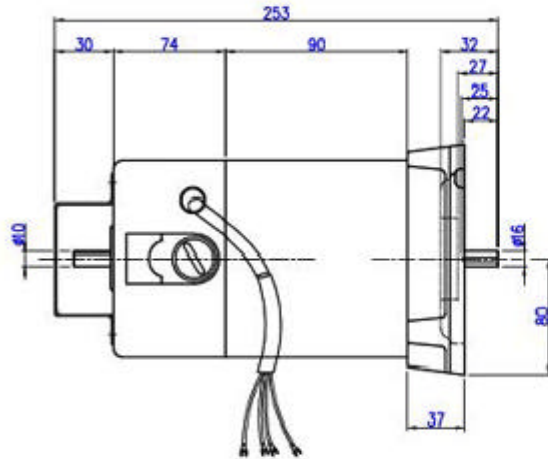


DOOR MOTOR

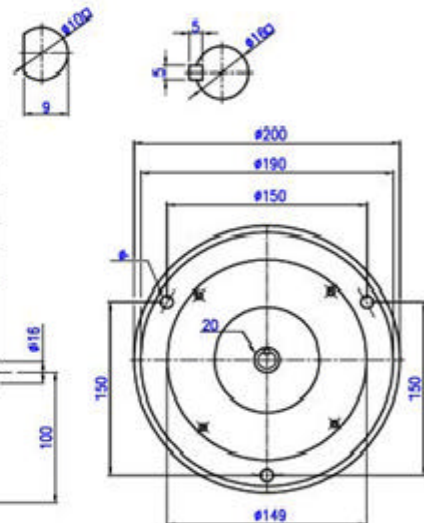
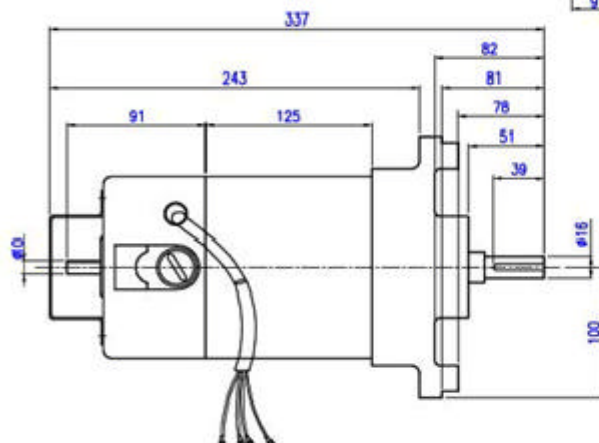
L- Type



SMV-L50



SMV-L125



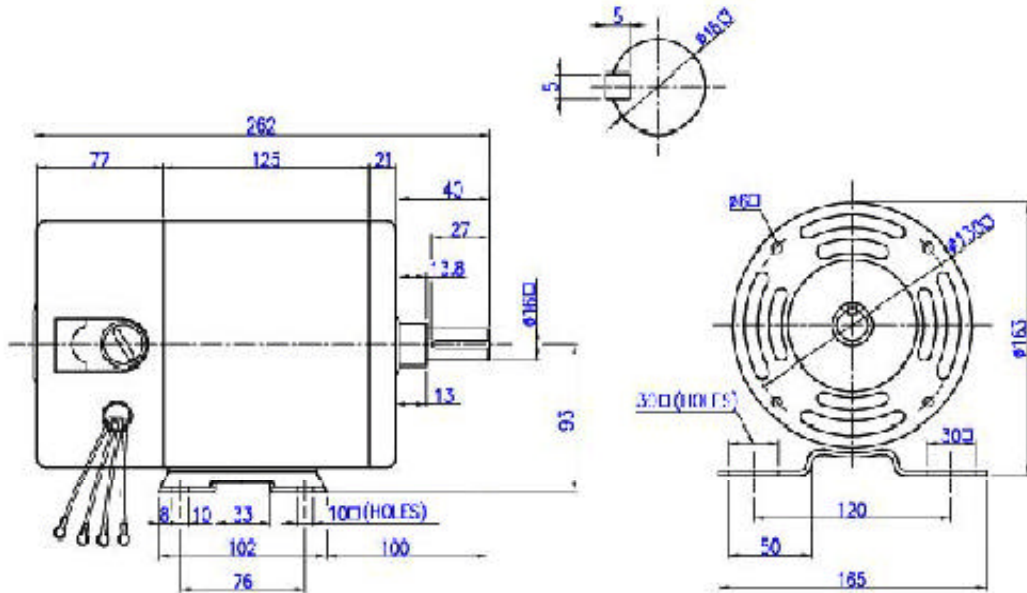
TYPE	OUTPUT (KW)/(HP)	POLES (P)	ARMATURE VOLTAGE(V)	FIELD VOLTAGE(V)	CURRENT (A)	SPEED (RPM)	TORQUE (kg-cm)	RATING (PL/OPL)	INS. CLASS
SMV-L50	50W / 1/16	2	110	110	0.75	600	8.124	6204zz/ 6302zz	E
SMV-L125	125W / 1/6	2	125	125	1.4	800	0.87	6204zz/ 6302zz	E

Call, Click or Stop By for easy access to thousands of parts!

keesang.co.kr

DOOR MOTOR

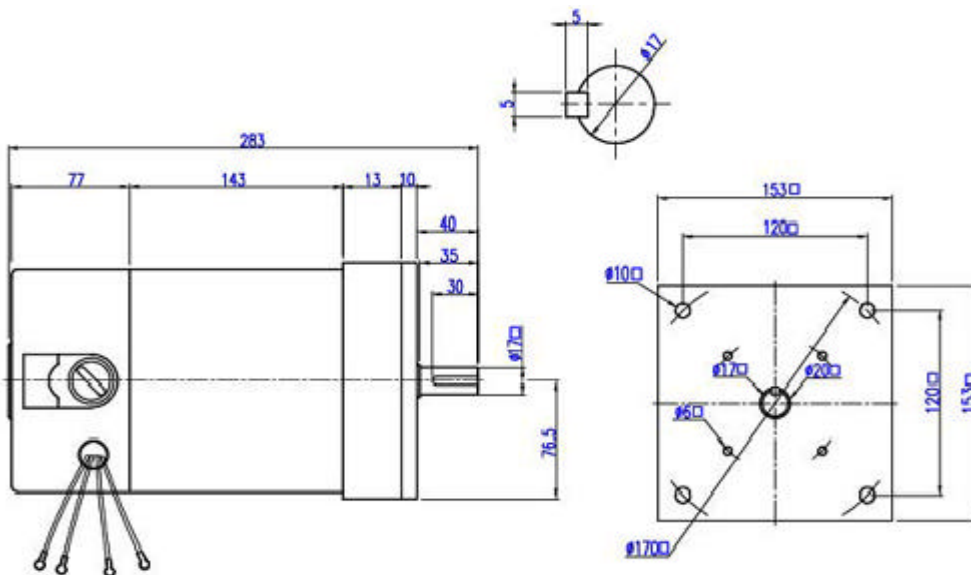
H- Type



TYPE	OUTPUT (KW)/(HP)	POLES (P)	ARMATURE VOLTAGE(V)	FIELD VOLTAGE(V)	CURRENT (A)	SPEED (RPM)	TORQUE (kg-cm)	RATING (PL/OPL)	INS. CLASS
SMH-H125	125W / 1/6	2	230	230	0.8	1140	10.69	6204zz/ 6302zz	E
SMH-H180	180W / 1/4	2	230	230	1.1	1140	15.39	6204zz/ 6302zz	E

DOOR MOTOR

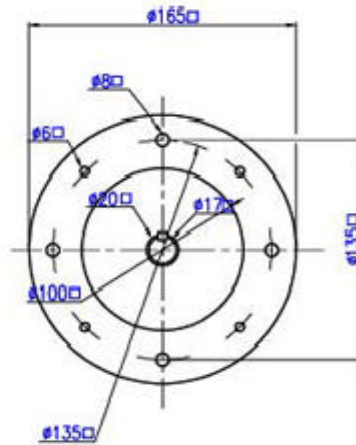
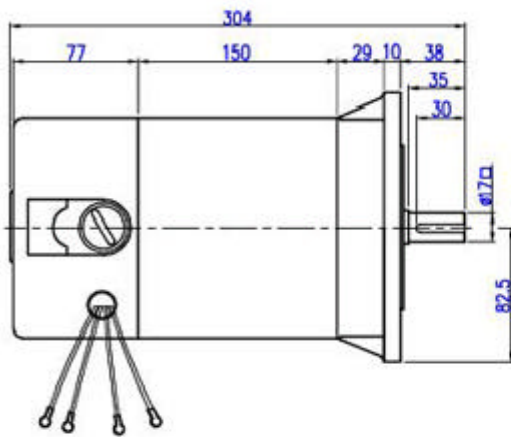
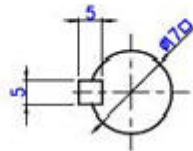
J- Type



TYPE	OUTPUT (KW)(HP)	POLES (P)	ARMATURE VOLTAGE(V)	FIELD VOLTAGE(V)	CURRENT (A)	SPEED (RPM)	TORQUE (kg-cm)	RATING (PL/OPL)	INS. CLASS
SMV-J70	70W / 1/10	2	110	110	1.47	600	11.37	6204zz/ 6302zz	E
SMV-J125	125W / 1/6	2	110	110	1.75	600	20.31	6204zz/ 6302zz	E
SMV-J200	200W / 1/4	2	110	110	2.8	600	32.49	6204zz/ 6302zz	E

DOOR MOTOR

D- Type



TYPE	OUTPUT (KW)/(HP)	POLES (P)	ARMATURE VOLTAGE(V)	FIELD VOLTAGE(V)	CURRENT (A)	SPEED (RPM)	TORQUE (kg-cm)	RATING (PL/OPL)	INS. CLASS
SMV-D100	100W / 1/8	2	110	110	1.47	600	16.24	6204zz/ 6302zz	E
SMV-D125	125W / 1/6	2	110	110	1.75	600	20.31	6204zz/ 6302zz	E
SMV-D150	150W / 1/5	2	110	110	2.1	350	41.8	6204zz/ 6302zz	E
SMV-D200	200W / 1/4	2	110	110	2.8	600	32.48	6204zz/ 6302zz	E